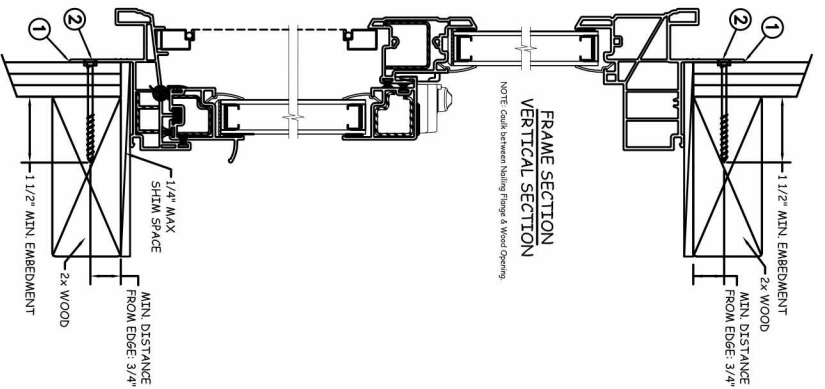


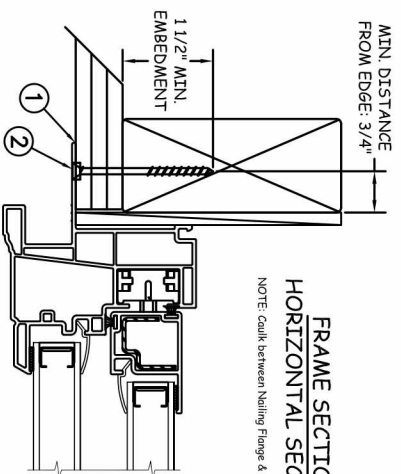
TYPICAL ELEVATION WITH FASTENER SPACING



FRAME SECTION
VERTICAL SECTION

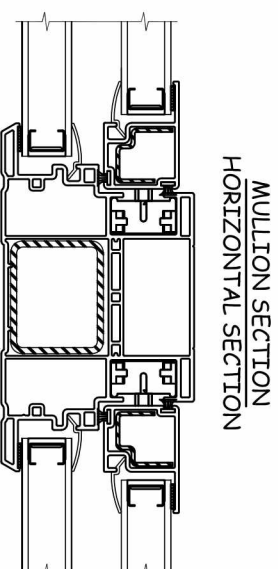
NOTE: Caulk between Nailing Flange & Wood Opening.

NAIL FIN INSTALLATION



FRAME SECTION
HORIZONTAL SECTION

NOTE: Caulk between Nailing Flange & Wood Opening.



MULLION SECTION
HORIZONTAL SECTION

Max Frame	DP RATING	IMPACT
114" X 74"	+/-50	NO

- Installation Notes:**
1. Seal flange/frame to substrate.
 2. Use #8 X 1 1/4" PH or greater fastener through the nail fin with sufficient length to penetrate a minimum of 1" into the wood framing. For two (2X) wood frame substrate (min. S.G. = 0.42).
 3. Host structure (wood buck, masonry, steel) to be designed and anchored to properly transfer all loads to the structure. The host structure is the responsibility of the architect or engineer of record for the project or installation.

- General Notes:**
1. The product shown herein is designed, tested and manufactured to comply with the wind load criteria of the adopted International Building Code (IBC), the International Residential Code (IRC), the Florida Building Code (FBC) and the industry requirement for the stated conditions.
 2. All glazing shall conform to ASTM E1300.
 3. At minimum, glazing is single strength annealed insulated glass.
 4. Use structural or composite shims where required.

This schedule addresses only the fasteners required to anchor the window to achieve the rated design pressure up to the size limitations noted. It is not intended as a guide to the installation process and does not address the sealing consideration that may arise in different wall conditions. For the complete installation procedure, see the instructions packaged with the window or go to www.jeld-wen.com.

DISCLAIMER:

This drawing and its contents are confidential and are not to be reproduced or copied in whole or in part or used or disclosed to others except as authorized by JELD-WEN Inc.

PROJECT ENGINEER:	DATE:	05/20/2015	3737 Lakeport Blvd Klamath Falls, OR, 97601 Phone: (800) 535-3936
DRAWN BY:	SCALE:	NTS	Brickmould Vinyl Tilt Single Hung 3 Wide XXX Window
CHECKED BY:	TITLE:		
APPROVED BY:			
PART/PROJECT No.:	PLANT NAME AND LOCATION:		
D008103			
IDENTIFIER NO.:	CAD DWG. No.:	REV:	SHEET
		00	4 OF 4